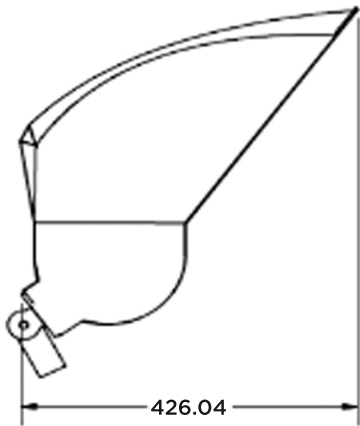




## SPECIFICATIONS

**MODEL: IN-180**

**LED Indirect Flood**



**Lumen Efficacy:** 125Lm/Watt

**Color Temperature:(K):** 5266

**CRI:** 80

**Rated Life L70 @25C** 80,000Hrs.

**ETL Certified UL Listed Components**

**Power Driver:** Meanwell 185Watts

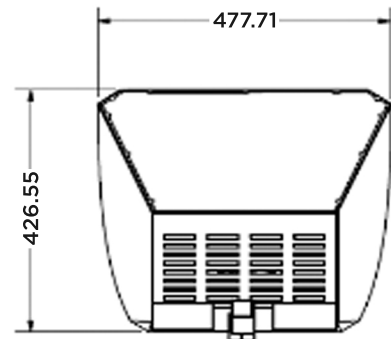
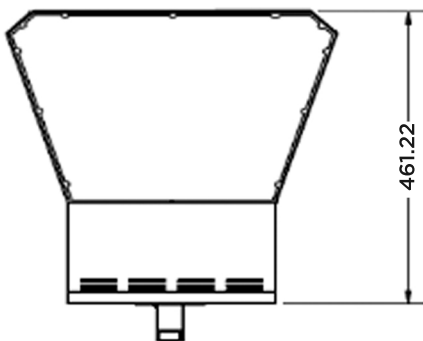
**Power:** 100-277 VAC

**Thermal protection system.**

Optional Dimming is available.

**5 Year Warranty**

**Weight:** 12 lbs.



Lux-Craft Inc.  
101 Bloomingdale rd.  
Hicksville N.Y. 11801



(T) 718-934-3600  
(C) 917-417-5361

[www.Luxcrafters.com](http://www.Luxcrafters.com)